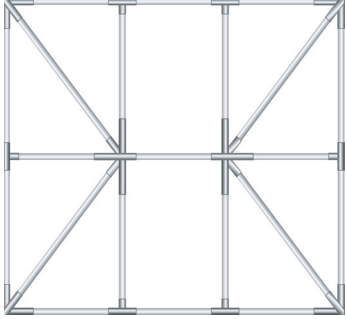


# 30' WIDE ASSEMBLY INSTRUCTIONS

## SIX EASY STEPS

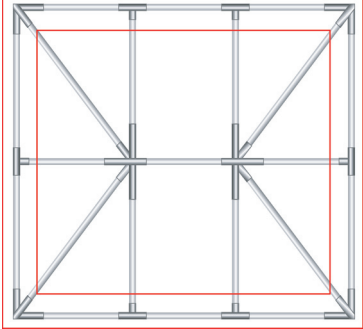
**1**

Lay out the tubing and fittings on a flat surface based on the frame sketch provided. (Example: 30' x 40')



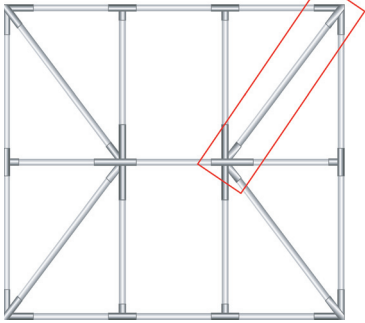
**2**

Slide the side bars into the corner fittings until the snap buttons engage. Then attach the side bars to the mid-leg rafter fittings. Be sure the snap buttons engage.



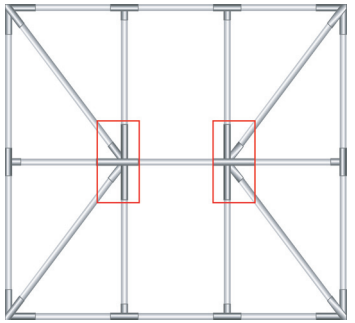
**3**

Slide the 21'8 1/4" double tube corner rafter into each corner fitting until snap buttons engage.



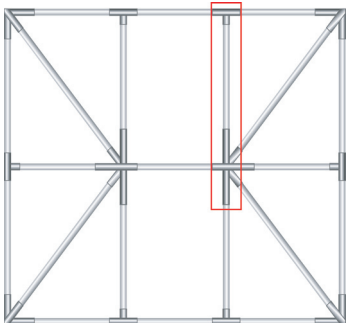
**4**

Install the top fitting on the corner rafters in opposite pairs. (Important: Be sure the slightly shorter fitting stubs are pointed toward the corners. The slightly longer stubs align with the mid-leg rafter fitting.)



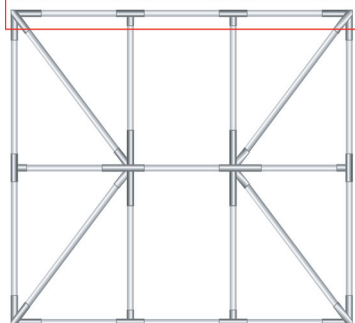
**5**

Slide the mid rafter into the top fitting first then into the corresponding mid-leg rafter fitting. The perimeter of the frame is designed to flex sufficiently to make this step easy. Repeat this step for each remaining mid-rafter.



**6**

With the cover loosely on frame, add legs to one of the longer sides and then to the opposite side. Then put in the remainder legs. Last, fasten straps and buckles before raising the tent to preferred leg height.



**Call us toll free at 1-800-438-3226**



2995 N.W. 75th Street - Miami, FL 33147-5943 - (305) 691-0191 - Fax: (305) 835-7098

[www.economytent.com](http://www.economytent.com) - [economy@bellsouth.net](mailto:economy@bellsouth.net)

\* No material or part thereof may be reproduced or printed without the written consent of Economy Tent International.