

Trio® Frame System

Traditional, Tension & High-Peak

ASSEMBLY INSTRUCTIONS

*Please verify the parts with the chart provided before you begin assembly.
Boxes and Bundles are labeled for easy identification.*

ASSEMBLY STEPS:

1. Place the side bars in a square or rectangle on a flat surface. (*NOTE: Color coding on Frame Parts List.*)
2. Place corner fitting in each corner.
3. For tents over 15' place the mid-leg/rafter fittings between the side bars at 10' intervals with the letter B toward the base.
4. Slide the side bars into the corner fittings until the snap buttons engage. Next, attach the side bars to the mid-leg/rafter fittings. Be sure the snap buttons engage. (*NOTE: The indentation on the tubing is used to assist in aligning the snap button to the hole on the fitting*)

The perimeter of your unit is now assembled.

5. Slide a corner rafter into each corner fitting until the snap buttons engage.
6. Install the top crown on the corner rafters in opposite pairs.

IMPORTANT: For the 20' x 20' crown, be sure the shorter fitting stubs are pointed toward the corners (C). The longer stubs on the crown align with the mid-leg/rafter fittings (M).

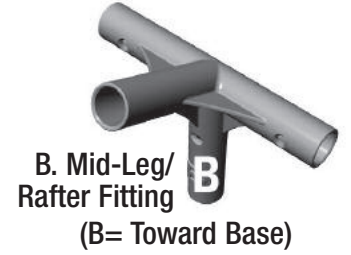
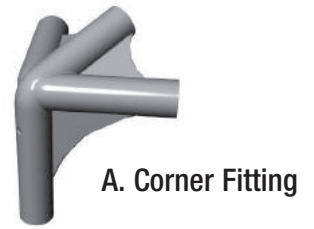
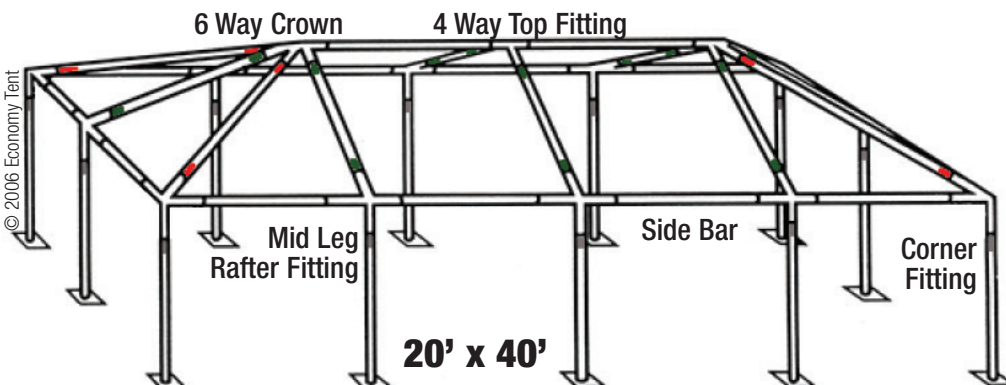
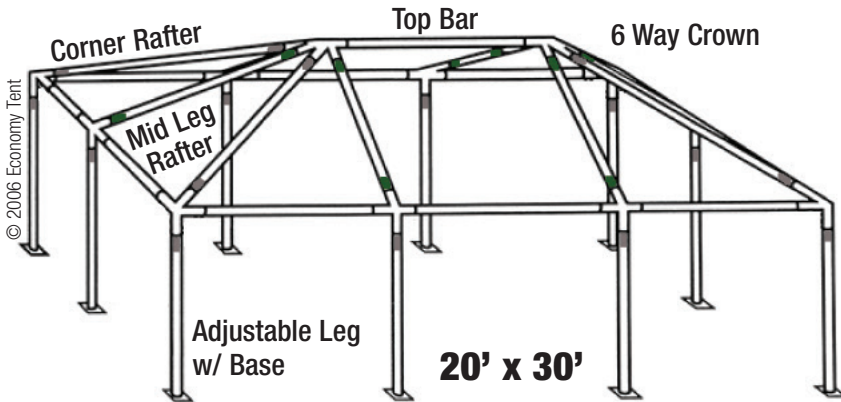
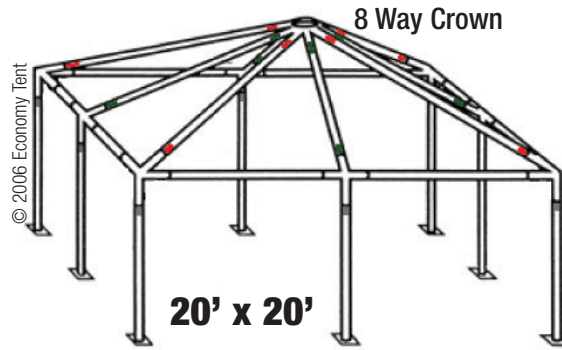
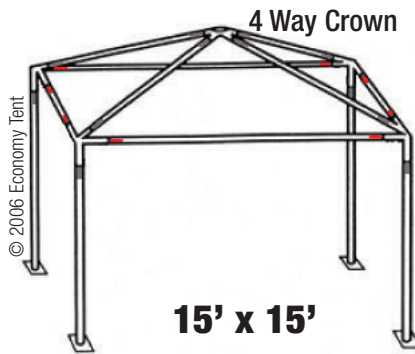
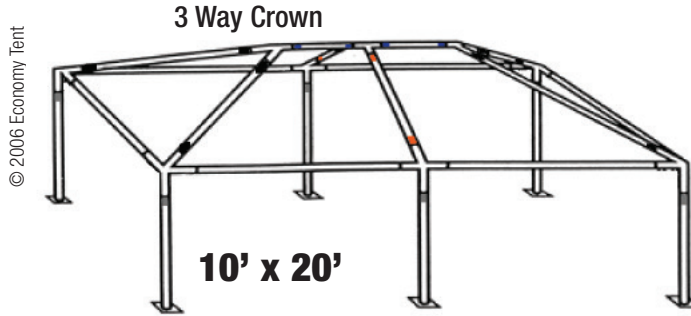
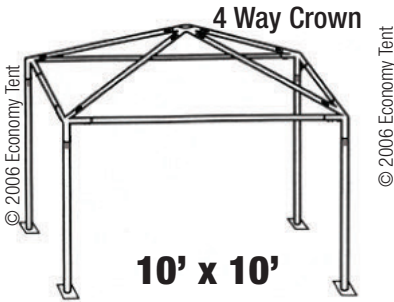
7. For tents over 15', slide a mid-leg/rafter into the top fitting first then into the corresponding mid-leg/rafter fitting. The perimeter of the frame is designed to flex sufficiently to make this step easy. Repeat this step for each remaining mid-rafter. Remember to work in opposite pairs.

The upper structure is now complete.

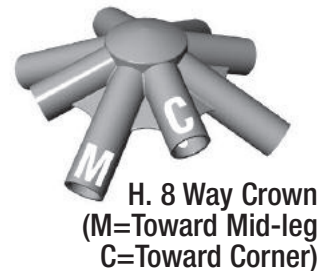
8. Place the cover on the frame. Be sure to center the cover while the upper structure is still on the ground. (*High-Peak covers: After the cover is loosely on the frame, place the mast through the hole in the center of the cover and secure the mast to the top crown.*)
9. Lift one side of the tent and attach two adjustable legs (with base plates) in their lowest position in each corner. Repeat for the other side. Then attach (if applicable) the remaining legs in each mid-leg/rafter fitting, also in the lowest position. (*It is recommended two persons be available when lifting the frame to install the legs.*)
10. **For Traditional Covers.** With the tent legs remaining at their lowest position, the Traditional cover should be attached with the straps and buckles. Start by securing one corner and then the opposite corner. Once the corners are secure, the straps should then be tightened. *Over-tightening the straps can damage the cover.*
11. Raise the frame to desired height until the snap buttons engage.
12. **For Tension or High-Peak Covers.** After the tent legs are set at the desired height, Tension or High-Peak covers should be secured with the straps and buckles down each tent leg. Make sure each strap is properly tightened.
13. While this unit will stand on its own, it is imperative the tent be secured with ropes/ratchets and stakes or any other appropriate anchoring method. Anchoring from Economy Tent International is optional to our customers.

We hope you enjoy your Trio® Frame System

Trio® Frame System



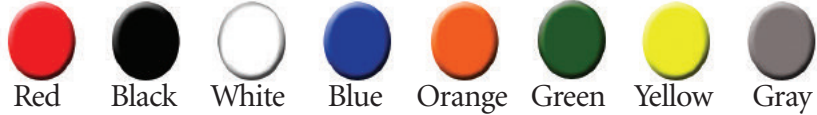
D. Adjustable Leg with Base



Trio Frame System

by Economy Tent International

PARTS LIST

TUBING	End Cap Color	10' X 10'	10' X 20'	15' X 15'	20' X 20'	20' X 30'	20' X 40'
7' - 8' Adjustable Legs	Gray	4	6	4	8	10	12
" Corner Rafter	Black	4	4				
10' 7" Corner Rafter	Gray			4			
14' 5" Corner Rafter	Red				4	4	4
4' 8" Mid Rafter	Orange		2				
" Mid Rafter	Green				4	6	8
9' 5" Sidebar	White	4	6		8	10	12
14' 5" Sidebar	Red			4			
9' 5" Top Bar	White					1	2
ar	Blue		2				
30" Mast for High-Peak		1	2				
40" Mast for High-Peak				1			
ast for High-Peak					1	2	2
Colored End Caps							
		10' X 10'	10' X 20'	15' X 15'	20' X 20'	20' X 30'	20' X 40'
Cast Corner Fitting		4	4	4	4	4	4
Cast Mid-Leg Rafter Fitting			2		4	6	8
Crown			2				
Cast 4-Way Crown		1		1			
Crown						2	2
Cast 8-Way Crown					1		
Cast 4-Way Top Expansion			1				1
ase Plates		4	6	4	8	10	12

Call us toll free at (800) 438 - 3226



2995 NW 75th Street • Miami, FL 33147-5943 • (305) 691-0191 • Fax: (305) 835-7098

www.economytent.com • sales@economytent.com

SAFETY GUIDELINES

Economy Tent International (ETI) products are of superior design and function best in the parameters of these instructions. It is **IMPERATIVE** that the instructions are carefully read and **COMPLETELY FOLLOWED**. *Please read these instructions before the installation or removal of the product.*

CAUTION:

- ◆ The installer is solely responsible for the evaluating the site and proper securing method determined. Some soils require different staking or securing other than that is provided with the tent or purchased by the customer. Our responsibility is limited to the construction of the tent and not damage due to installation. Damaged frame parts or fittings are usually caused by improper lifting of the frame and are not covered under the terms of the warranty.
- ◆ Installation during threatening weather conditions is not advised under any circumstances. It is the responsibility of the tent installer/maintainer to determine the severity of the weather and utmost care must be used. This product is to be used as a temporary structure. In any questionable weather conditions, evacuation is recommended and all valuable merchandise should be removed immediately. Use good judgment, common sense and safety during takedown of the tent.
- ◆ Do to shifting of the tent frame, loosing of the stakes or loosening buckles it is possible for the cover to “pocket” water in rain conditions. It is imperative to continually inspect the frame and cover for proper fit and alignment and adjust as required.
- ◆ Proper safety equipment should be used at all times to insure a safe installation and takedown. Careful evaluation should be made to determine if hard hats, steel toe shoes, safety glasses and any other equipment can be used for the safe and proper installation. Tent lifts or other equipment might be considered for lifting and take down.
- ◆ ETI stand behind its products in accordance of the Terms and Condition of Sale which can be reviewed on the back of your invoice as well as on our web-site at: www.economytent.com. For further questions or inquiries, please call us toll free at (800) 438-3226 or via e-mail at sales@economytent.com.

For additional reference consult: “*The IFAI Procedural Handbook for the Safe installation and Maintenance of Tentage*” and the IFAI “*Pullout Capacity of Tent Stakes*”. Both of these publications are available from the IFAI Tent Rental Division. www.tentexperts.org

For more information, please call us at
(800) 438-3226 or by e-mail at sales@economytent.com

2995 NW 75th Street • Miami, Florida 33147-5943
(305) 691-0191 • Fax (305) 835-7098
www.economytent.com