



40' CLASSIC PLUS FRAME TENTS | **ASSEMBLY INSTRUCTIONS**

SAFETY BEST PRACTICES

Economy Tent International products are of superior design and function best in the parameters of these instructions. It is recommended that the instructions are carefully read and followed. Please read these "Safety Best Practices" before the installation or removal of any tent.

- The installer is solely responsible for the evaluation of the site and determining the proper securing method. Some soils require different staking or securing other than what is provided with the tent or purchased by the customer. Our responsibility is limited to the construction of the tent and not damage due to installation. Damaged frame parts or fittings are usually caused by improper lifting of the frame and are not covered under the terms of the warranty.
- Installation during threatening weather conditions is not advised under any circumstances. It is the responsibility of the tent installer/maintainer to determine the severity of the weather and utmost care must be used. This product is to be used as a temporary structure. In any questionable weather conditions, evacuation is recommended and all valuable merchandise should be removed immediately. Use good judgment, common sense and safety during take-down of the tent.
- Due to shifting of the tent frame, loosening of the stakes or loosening buckles, it is possible for the cover to "pocket" water in rain conditions. It is imperative to continually inspect the frame and cover for proper fit and alignment and adjust as required.
- Proper safety equipment should be used at all times to insure a safe installation and take down. Careful evaluation should be made to determine if hard hats, steel toe shoes, safety glasses and any other equipment should be used for the safe and proper installation. Tent lifts or other equipment might be considered for lifting or take down.

GENERAL CARE & MAINTENANCE

SOLID COVER & SIDEWALL VINYL

The vinyl fabric developed for this tent system requires specific attention during installation, cleaning, and storage to maintain its maximum life span. Please follow the following care and maintenance guidelines provided for this product.

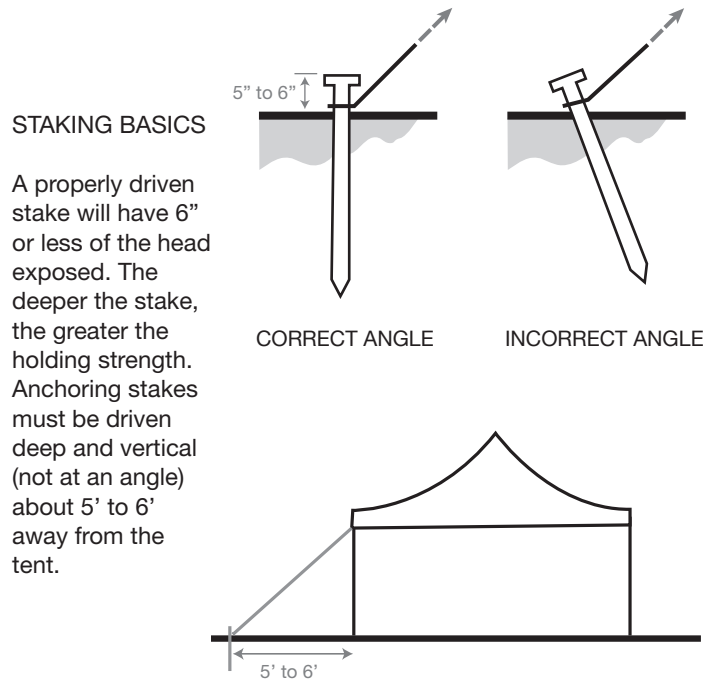
MILDEW TREATMENT: Our vinyl fabric is pretreated with mildew inhibitors that help prevent the growth and spreading of mildew and fungus. If you see mildew wipe it away immediately with a clean towel and diluted soap solution. Never fold tent covers if the fabric is even slightly wet since mildew will grow in moist environments.

CLEANING: The best way to clean the vinyl tent fabric is with a soft towel or soft bristled brush immersed in a diluted solution of warm water and a tent cleaning solution. Apply the diluted solution directly to the fabric using 1) a towel immersed in the solution, or 2) a spray bottle or larger pressurized spraying apparatus to evenly cover the fabric with the solution. Let this sit on the fabric for about one minute to allow the mixture to penetrate the fabric. Using a soft towel or soft bristled polypropylene brush, gently work the cleaner into the fabric using only mild pressure. Never allow the tent cleaner to

STAKING / ANCHORING BASICS

By law you are required to contact your local "Call before you dig" number before you plan to dig or drive tent stakes for your local utility company to mark the location of all underground utility lines. Laws vary from state to state as to how far in advance you must call. Plan in advance.

Soil and setup conditions can vary greatly between installation sites. It is the installer's responsibility to be sure the staking is adequate for each site on each setup.



dry on the fabric. Once the cleaning is complete be sure to rinse away any cleaning solution completely. The best way to dry the vinyl tent fabric is to hang-dry in a low humidity environment. Fans can be used to circulate air but do not use heated dryers.

STORAGE: Store in a cool, dry area in the storage bags that came with your cover.

FRAME HARDWARE & COMPONENTS

The hardware components developed for this tent system require specific attention during installation, cleaning, and storage to maintain their maximum life span. Please follow the following care and maintenance guidelines provided for this product.

OXIDATION: The hardware components for this tent system have been supplied to you with specialty coatings to help limit oxidation. With usage, these coatings will need to be maintained for the product reach its full intended lifespan.

CLEANING: It is very important to keep your frame hardware components clean and free of dirt. If soiled, wipe down immediately to remove the foreign matter.

STORAGE: The tent frame system should be stored dry in a cool, dry, low humidity covered place.

See full "Care & Maintenance" on economytent.com.

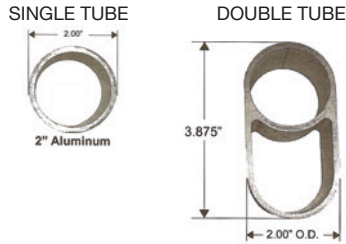
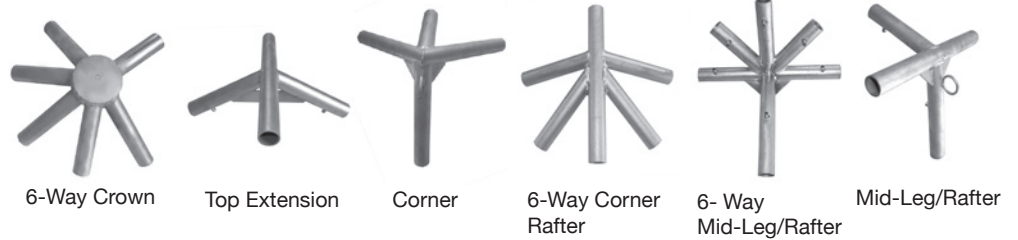
40' CLASSIC PLUS FRAME TENTS | ASSEMBLY INSTRUCTIONS

TUBING, FITTING & EQUIPMENT LIST

40' TUBING

- 9'4" Side Eave Bar
- 9'4" Top Bar
- 14'4" Upper Corner Support
- 10'5½" Corner Rafter Support
- 14'4" Double Tube Corner Rafter Bar
- 21'8-1/4" Double Truss Mid-Rafter
- 7' - 9' Adjustable Leg

40' FITTINGS



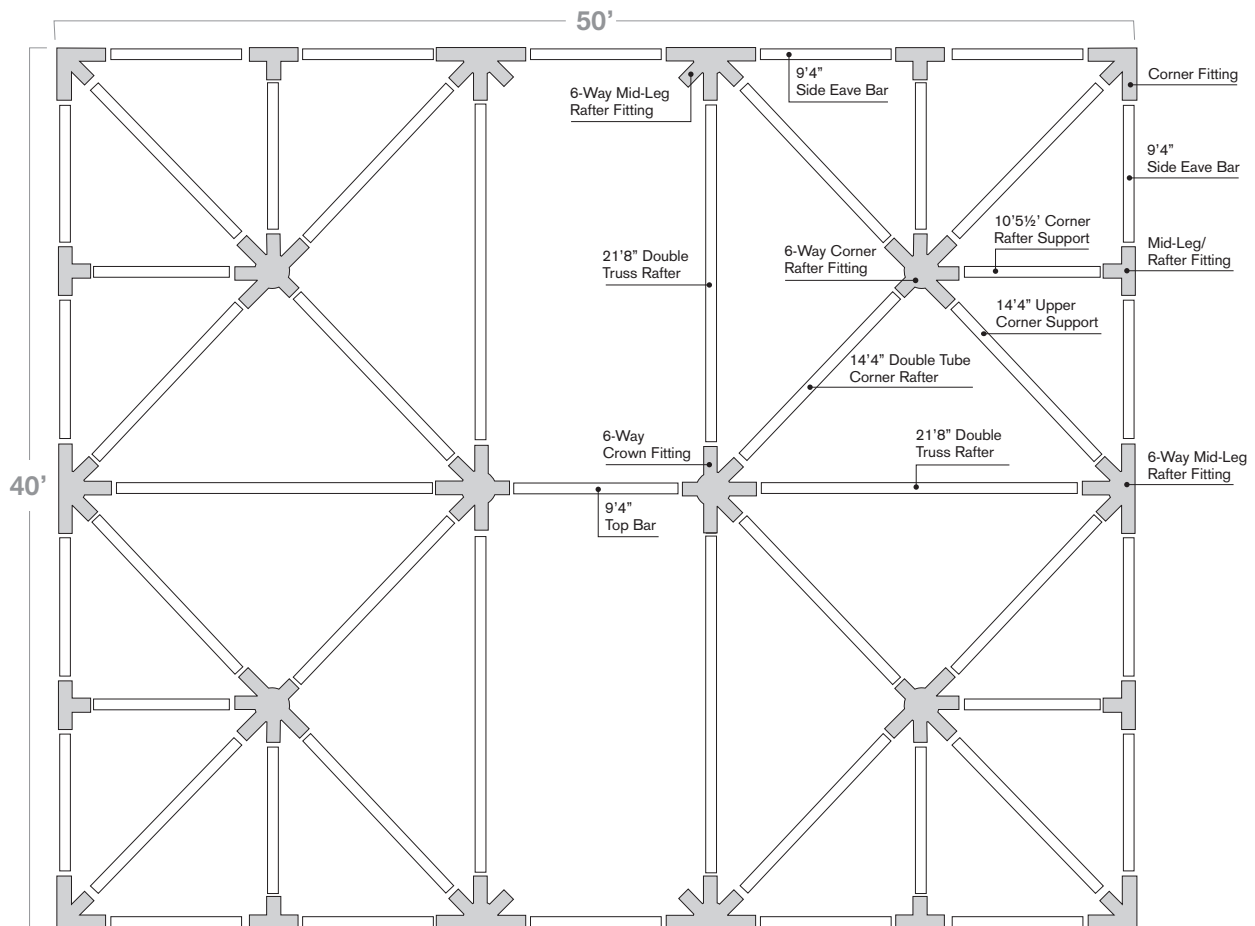
RECOMMENDED EQUIPMENT AND MANPOWER FOR INSTALLATION:

- Six experienced installers can normally install these products in three hours or less.
- One or two 8'-10' commercially rated step ladders.
- Approved safety head gear, steel toed shoes and eye protection.
- Frame tent jacks (minimum two for a 40'x40' frame. One additional jack is recommended for each additional 20' in length).
- Prior to laying out this or any other ETI product be sure you have thoroughly inspected the area for any overhead or underground obstructions that may interfere with the safe installation of this product. Please refer to IFAI anchoring and installation guidelines.

ORGANIZE TUBING & FITTINGS

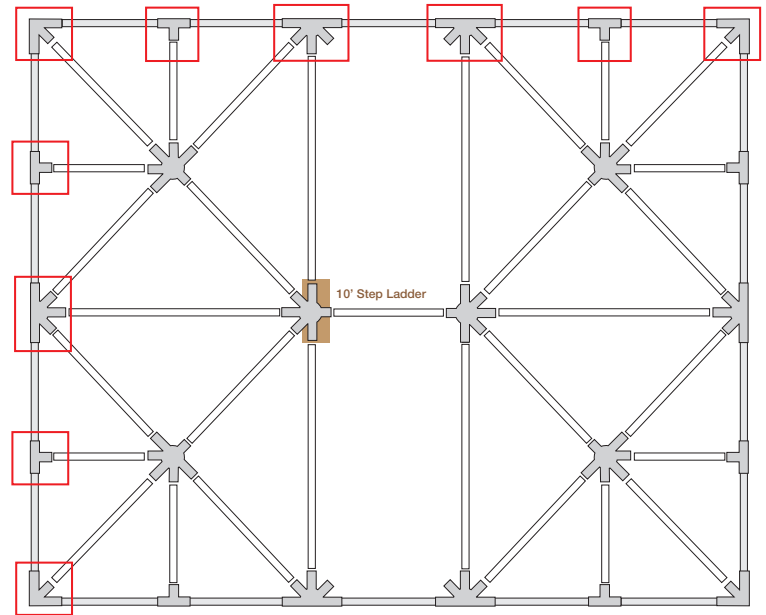
Lay out all the canopy frame tubing and fittings on the ground forming a loose diagram of the canopy layout. It is best to do the assembly in the approximate location that the tent will be in when assembled.

Note: A 40' x 50' frame layout is used in this manual for illustration. Go to www.economytent.com for frame sketches for all the 40' Classic Plus frame sizes, along with a materials list for each frame size.



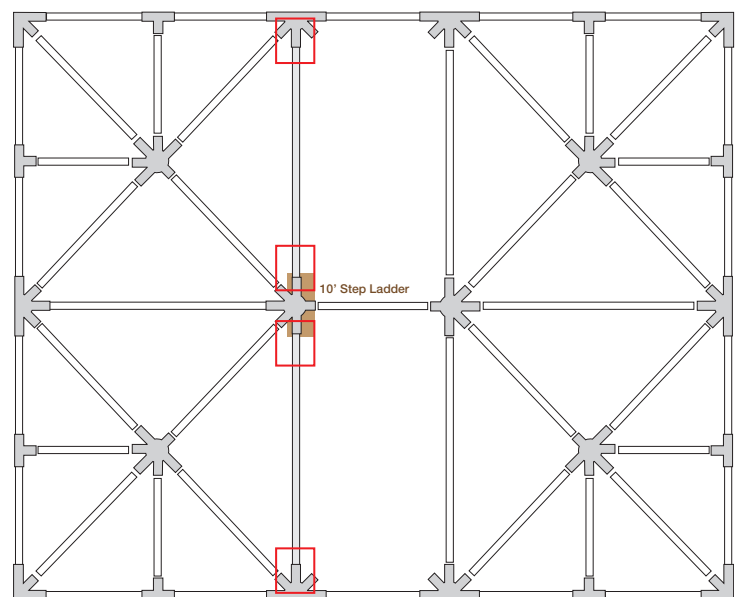
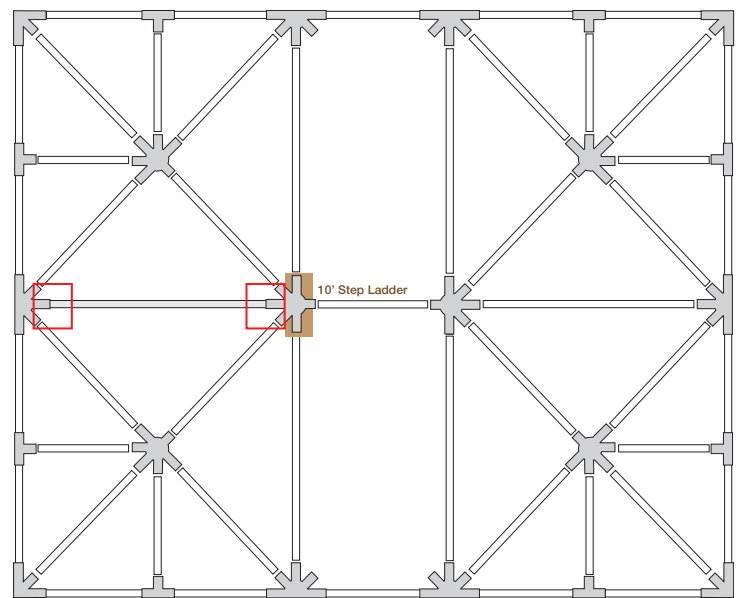
EAVE ASSEMBLY

1. Beginning in a corner slide the **Side Eave Bars** over the pre-positioned **Corner, Mid-Leg Rafter**, and **6-Way Mid-Leg Rafter** fittings. Lock them into place using the snap buttons creating a ridged perimeter.
2. After completing the eave build place your 10' step ladder in the center of the frame 20' in from the end. This will be used to help support the crown weldment during rafter assembly.



RAFTER / PEAK ASSEMBLY

3. While still on the ground and at the first **6-Way Mid-Leg/Rafter Fitting** location on the 40' side attach one end of the **21'8" Double Truss Rafter** to the **Crown Fitting** making sure it is attached to the correct location on the fitting (hip rafter location angle is less than intermediate rafter location angle). Hand the end of the rafter with the attached fitting to the installer on the ladder and then attach the opposite end to the **6-Way Mid Leg/Rafter Fitting** on the ground. The ladder can help support the rafter at the top. A tent jack may also be used to elevate and hold the rafters in place while assembling from the ladder.
4. Now proceed to the first **21'8" Double Truss Rafter** location down the side (20' from the corner) where another **6-Way Mid-Leg/Rafter Fitting** is located and hand the end of the rafter to the installer on the ladder. After the installer attaches the top end of the rafter to the **Crown Fitting** connect the bottom of the rafter to the **6-Way Mid-Leg/Rafter Fitting**. If you are using the universal cross brace fitting be sure to slide the fitting into position before attaching the rafter to the 6-Way Mid-Leg/Rafter Fitting. Repeat this step on the opposite side.



5. Begin assembling the two-piece corner rafter by attaching one of the two **14'4" Double Tube Corner Rafter** to the **Corner Fitting**. Next attach the **6-Way Corner Rafter Fitting** to the other end of the 14'4" tube. Attach the second **14'4" Double Tube Corner Rafter** to the top portion of the **6-Way Corner Rafter Fitting**. The installer on the ladder then attaches the **Crown Fitting** to the top end of the 14'4" tube. Repeat this procedure for the next corner rafter location.

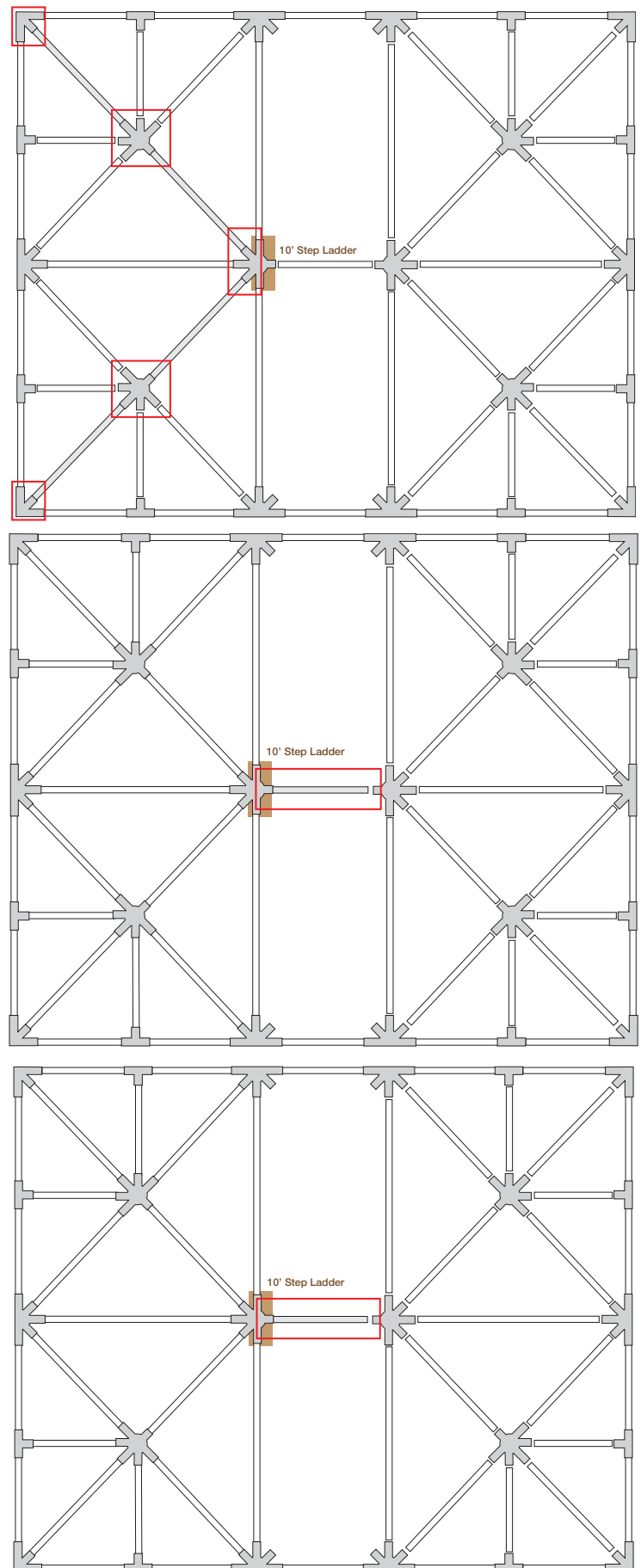
6. Attach the **14'4" Upper Corner Supports** and the **10'5½" Corner Rafter Supports** to each location on the corner fittings. Repeat in opposite corner.

7. At this point it is recommended that you attach the Cross Brace Bars with attachable fittings or the universal fittings already placed on your rafters prior to connecting the rafters to the mid leg/rafter fittings.

NOTE: *If assembling a 40'x40' frame only attach your remaining 21'8" rafter in the end location and the follow steps the above to complete the assembly of the remaining two corner rafters with supports.*

8. When assembling an expandable frame you will work your way down the frame attaching a **9'4" Top Bar** in the ridge to **4-Way Expansion Top Fitting**. You will then attach the **21'8" Double Tube Truss Rafters** to the **Top Expansion Fitting** and the **Mid-Leg/Rafter Fittings**. The 40' cross cables and 20'x2" cross braces should be attached as you complete each set of rafters.

After you reach the opposite 20' end of the frame, repeat steps 3-7. The frame is now ready for the cover installation.



CROSS BRACING

IMPORTANT: Cross Bracing Tubing and Fittings are supplied with the tent framing and must first be in place before raising the tent on the legs.

- For stability and to prevent frame bowing, solid interior bracing using **14'4" x 2" Cross Brace Tubing and Fittings** need to be installed between each opposing 21'8-1/4" Mid-Rafters. Start at one end along the longer side and install as many cross braces as there are mid-rafters.



COVER ATTACHMENT

- Roll out a large drop cloth next to the assembled frame to protect the cover from dirt and abrasion.
- From the end of the frame begin by opening the top making sure it is centered on the frame. Avoid pulling or sliding the fabric while it is still rolled or folded because of the weight on top of the bottom layer the bottom layer of vinyl can be damaged during this process.
- After unrolling the vinyl so that it stretches from side to side, begin pulling it up and over the frame positioning the installers in such a way they can all pull effectively. While pulling the vinyl over the frame it helps to create a billowing action (like spreading a sheet over a mattress) to allow air between the top and the frame. Be aware of any resistance where the vinyl may be caught on the frame and continuing to pull may do damage.
- It is recommended that each section be pulled to just above the eave and then lace the next section in place before continuing. Another method is to pull each individual section into position on the frame and lace the sections while in the air. After the top is completely laced and over the frame make any adjustments to insure that the top is positioned properly on the frame. This will make it easier to properly tension the top with the straps and buckles.



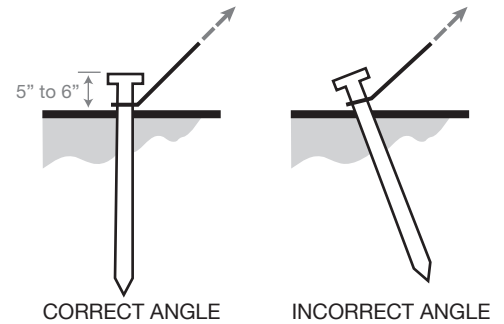
LIFTING AND ADDING LEGS

- Prior to raising the frame and attaching the legs it is recommended that the anchoring system be in place and that the **Guy Ropes** or **Guy Webs** are attached to the frame in such a manner that the frame can still be lifted. This can be accomplished by attaching them loosely.
- The frame should be lifted from the leeward side first (the side protected from the wind). Place the frame jacks at each end in from the corner no more than 1-foot and place each additional jack at rafter locations no more than 20 feet apart. If possible attach the jacks around the steel fittings.

16. When raising the frame off the ground, be sure to lift as evenly as possible. Do not allow the frame to be higher in the center than at the ends. Do not lift the frame any higher than necessary to attach the Legs in their 7-foot position. It is recommended that you raise the legs to their 8-foot or 9-foot position after the cover is squared and strapped to the frame.

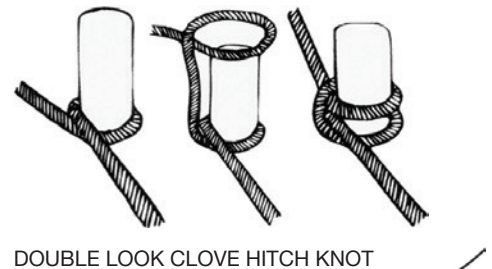
STAKES AND GUY ROPES

17. Place Stakes approximately 5-feet out from each leg. Drive each Stake vertically into the ground so that approximately 6" of the stake is showing. (See *staking diagram*)

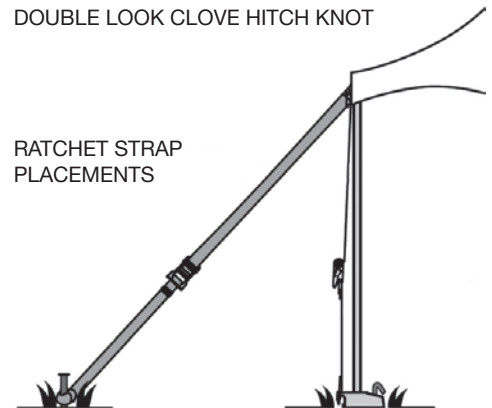


18. Attach Guy Ropes or Ratchet Straps to each Leg and Stake. Secure corner legs first and then the side legs.

GUY ROPES: Loop the rope through the exterior ring on each Corner and Mid-Rafter Fitting. Tie the bottom ends of the rope to the stake using a Double Loop Clove Hitch knot (See *knot diagram*). Tighten by pulling on the excess rope. Fold and secure excess rope to the stake. Repeat at each leg and stake.



RATCHET STRAPS: Attach the ratchet buckle with the loop strap to the stakes by turning the 6" loop at the end of the ratchet inside out and pull the strap through the loop to create a noose and pull tight over the stake. Take the loose strap and run it through the ring on Corner Fitting and pull it through the reel bars slot of the ratchet (ratchet buckle needs to have the handle facing upward). Pull the loop strap back towards the tent approximately 18". Hold the strap with one hand and begin to crank the ratchet handle back and forth. Roll excess strapping and secure in the ratchet buckle. Repeat at each leg and stake.



19. For securing the tent on a hard surface, such as concrete, where stakes cannot be used, secure the tent legs to a ringed sandbag cover filled with a 60 lb. sand bag or a filled 55-gallon barrel. Secure with same guy rope or ratchet procedure as outlined above.

The installation of the tent framing and cover is now complete. If desired, Sidewalls, Liners and Drapes may be installed.

40' CLASSIC PLUS FRAME TENTS | DISASSEMBLY INSTRUCTIONS

1. Remove Sidewalls, Liners and Drapes. Fold and roll for cleaning and/or storage.
2. Loosen all Ratchet Straps or Guy Ropes. Leave Corner anchoring in place for now. Remove all anchoring from the side Mid-Rafter Legs.
3. Adjust the tent height on all the Legs to the lowest height.
4. Leaving any corner straps secured to keep cover from falling or blowing off, unfasten the Cover straps and buckles along the inside perimeter of the frame.
5. Leaving the corner Legs and anchoring in place, remove the Legs from the Mid-Rafter Fittings on the shorter sides first, and then remove on one of the longer sides.
6. Remove the anchoring straps from the Corner Fittings and Legs on the same side. Remove the two corner Legs and carefully lower this side of the frame to the ground. **Note:** *Corner legs should be removed at the same time and the entire length of the frame should then be lowered. Do not remove and lower one corner at a time. Use tent jacks if necessary to support and lower the side of the tent.*
7. Repeat on the opposite side.
8. Lay out a drop cloth along one side of the frame and cover to protect the cover from dirt and abrasions as you remove it. Unfasten the rest of the Cover straps and carefully remove the Cover onto the drop cloth. Fold and roll the Cover as tightly as possible. Do not stand or walk on the Cover fabric as you remove and fold it. Store cover in storage bag.
9. Disassemble the frame in the opposite order of assembly.
10. Remove all stakes. Roll and store guy ropes and ratchet straps.